

Kitchen Type-E Mirror

362W 125th St
UNIT 302
New York, NY

JOB DETAILS

Model: Maxima 2.2
Base & Tall Color: Melamine Noce Moro
Wall cabinets: Silk Lacquer Pearl Gray
Base & Tall Carcass : Brown Oak
Wall Cabinets Carcass : Smokey Gray
Drawers: Brown
Plinth Color: Alum. Titanium
Channel: Straight Alum. Titanium
Grip Edge: Titanium Frame Grip
Hardware: TBD

1 BEDROOM

Refrigerator: Miele 30" KF 1813 Vi
Dishwasher: Miele 24" G 6880 SCVi
Cooktop: Miele 30" KM 3465 G
Oven: Miele 30" H 6280 BP
Hood: Miele 30" DA 3486
Re circulation kit: Miele DUU 150
Wine fridge: N/A
Microwave: TBD

CLIENT APPROVAL:

Date: _____

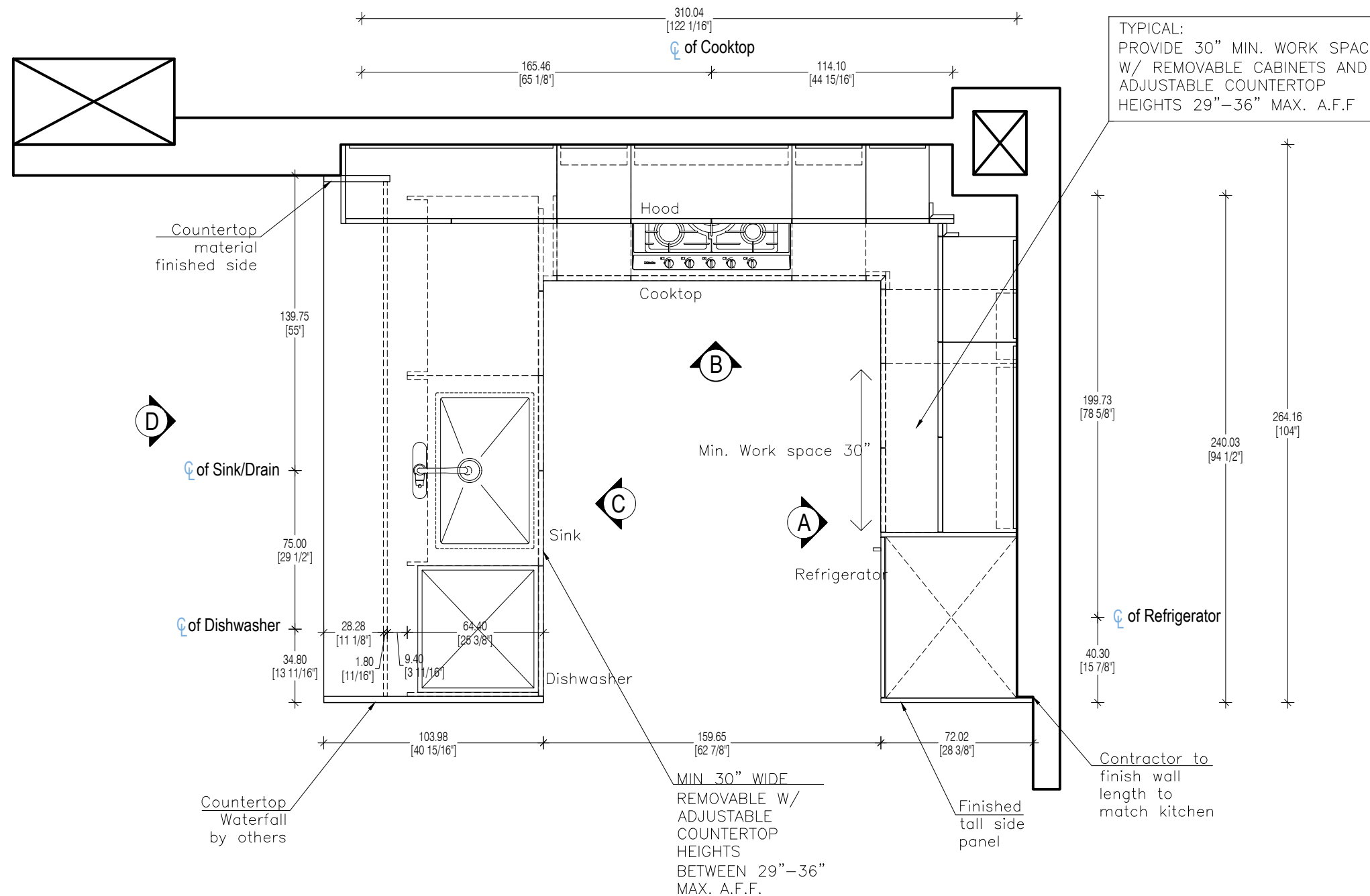
Cesar NYC Kitchens expressly reserves its common law copyright and other property rights in these plans. These plans are not to be reproduced, changed, or copied in any form or manner whatsoever nor are they to be assigned to any third party without first obtaining the express written permission and consent of Cesar NYC Kitchen.

DATE:	REVISION:	BY:
7-18-19	MEP info drawings	YAP

Cesar
NEW YORK

CESAR NYC KITCHENS
50 W. 23rd Street
New York, NY 10010
Tel: 212.505.2000
www.cesarnyc.com

81/159



Kitchen Type-E Mirror

362W 125th St
UNIT 302
New York, NY

JOB DETAILS

Model: Maxima 2.2
Base & Tall Color: Melamine Noce Moro
Wall cabinets: Silk Lacquer Pearl Gray
Base & Tall Carcass : Brown Oak
Wall Cabinets Carcass : Smokey Gray
Drawers: Brown
Plinth Color: Alum. Titanium
Channel: Straight Alum. Titanium
Grip Edge: Titanium Frame Grip
Hardware: TBD

1 BEDROOM

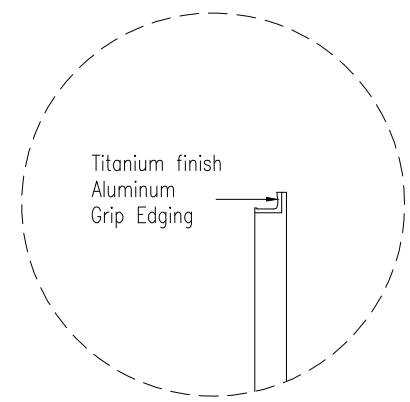
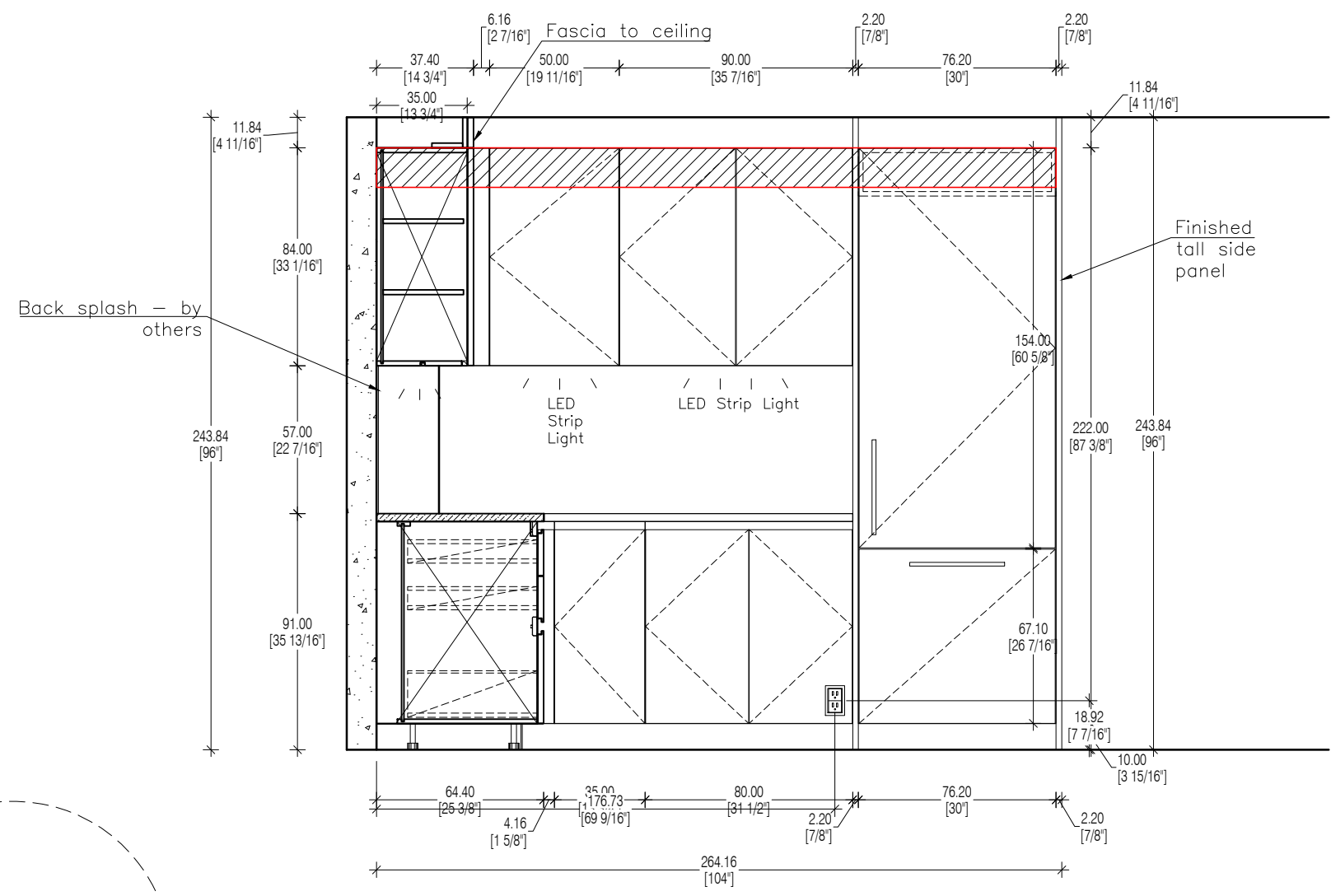
Refrigerator: Miele 30" KF 1813 Vi
Dishwasher: Miele 24" G 6880 SCVi
Cooktop: Miele 30" KM 3465 G
Oven: Miele 30" H 6280 BP
Hood: Miele 30" DA 3486
Re circulation kit: Miele DUU 150
Wine fridge: N/A
Microwave: TBD

CLIENT APPROVAL:

Date: _____

Cesar NYC Kitchens expressly reserves its common law copyright and other property rights in these plans. These plans are not to be reproduced, changed, or copied in any form or manner whatsoever nor are they to be assigned to any third party without first obtaining the express written permission and consent of Cesar NYC Kitchen.

DATE:	REVISION:	BY:
7-18-19	MEP info drawings	YAP



A ELEVATION
1/2"=1'-0"

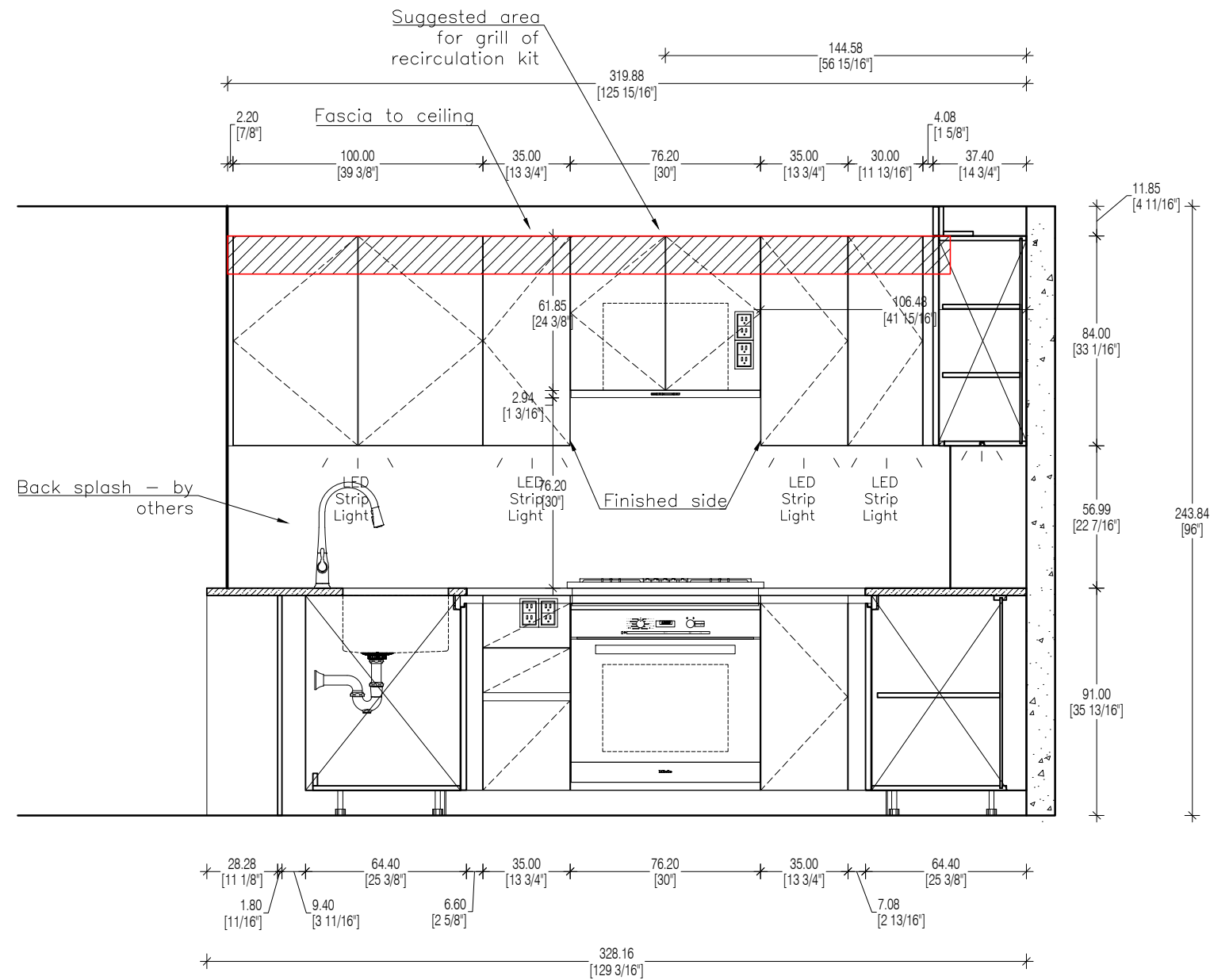
Cesar
NEW YORK

CESAR NYC KITCHENS
50 W. 23rd Street
New York, NY 10010
Tel: 212.505.2000
www.cesarnyc.com

82/159

Kitchen Type-E Mirror

362W 125th St
UNIT 302
New York, NY



JOB DETAILS

Model: Maxima 2.2
Base & Tall Color: Melamine Noce Moro
Wall cabinets: Silk Lacquer Pearl Gray
Base & Tall Carcass : Brown Oak
Wall Cabinets Carcass : Smokey Gray
Drawers: Brown
Plinth Color: Alum. Titanium
Channel: Straight Alum. Titanium
Grip Edge: Titanium Frame Grip
Hardware: TBD

1 BEDROOM

Refrigerator: Miele 30" KF 1813 Vi
Dishwasher: Miele 24" G 6880 SCVi
Cooktop: Miele 30" KM 3465 G
Oven: Miele 30" H 6280 BP
Hood: Miele 30" DA 3486
Re circulation kit: Miele DUU 150
Wine fridge: N/A
Microwave: TBD

CLIENT APPROVAL:

Date:

Cesar NYC Kitchens expressly reserves its common law copyright and other property rights in these plans. These plans are not to be reproduced, changed, or copied in any form or manner whatsoever nor are they to be assigned to any third party without first obtaining the express written permission and consent of Cesar NYC Kitchen.

DATE:	REVISION:	BY:
7-18-19	MEP info drawings	YAP

Cesar
NEW YORK

CESAR NYC KITCHENS
50 W. 23rd Street
New York, NY 10010
Tel: 212.505.2000
www.cesarnyc.com

83/159

B

ELEVATION
1/2"=1'-0"

Kitchen Type-E Mirror

362W 125th St
UNIT 302
New York, NY

JOB DETAILS

Model: Maxima 2.2
Base & Tall Color: Melamine Noce Moro
Wall cabinets: Silk Lacquer Pearl Gray
Base & Tall Carcass : Brown Oak
Wall Cabinets Carcass : Smokey Gray
Drawers: Brown
Plinth Color: Alum. Titanium
Channel: Straight Alum. Titanium
Grip Edge: Titanium Frame Grip
Hardware: TBD

1 BEDROOM

Refrigerator: Miele 30" KF 1813 Vi
Dishwasher: Miele 24" G 6880 SCVi
Cooktop: Miele 30" KM 3465 G
Oven: Miele 30" H 6280 BP
Hood: Miele 30" DA 3486
Re circulation kit: Miele DUU 150
Wine fridge: N/A
Microwave: TBD

CLIENT APPROVAL:

Date: _____

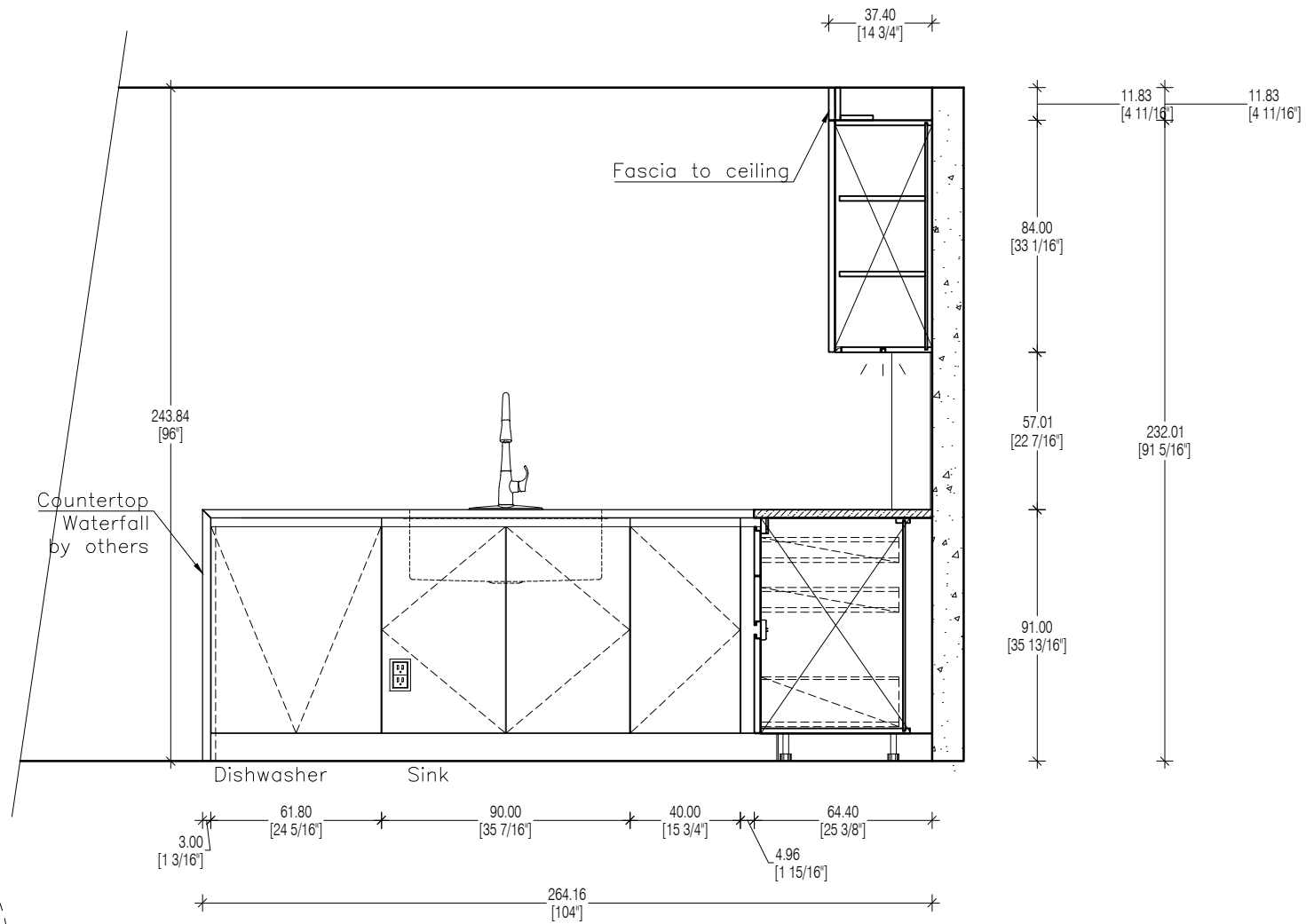
Cesar NYC Kitchens expressly reserves its common law copyright and other property rights in these plans. These plans are not to be reproduced, changed, or copied in any form or manner whatsoever nor are they to be assigned to any third party without first obtaining the express written permission and consent of Cesar NYC Kitchen.

DATE:	REVISION:	BY:
7-18-19	MEP info drawings	YAP

Cesar
NEW YORK

CESAR NYC KITCHENS
50 W. 23rd Street
New York, NY 10010
Tel: 212.505.2000
www.cesarnyc.com

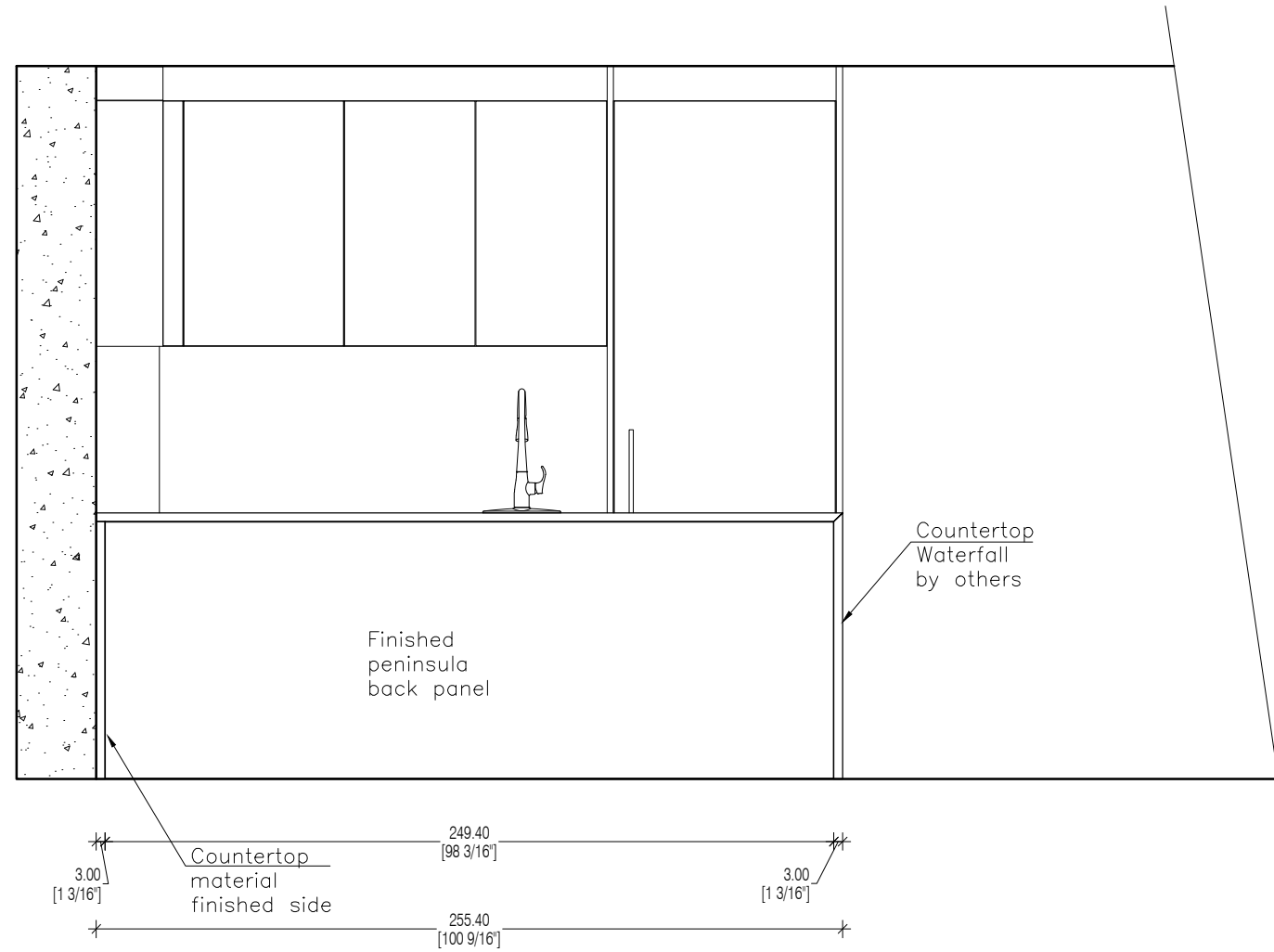
84/159



C

ELEVATION
1/2"=1'-0"

Kitchen Type-E Mirror



362W 125th St
UNIT 302
New York, NY

JOB DETAILS

Model: Maxima 2.2
Base & Tall Color: Melamine Noce Moro
Wall cabinets: Silk Lacquer Pearl Gray
Base & Tall Carcass : Brown Oak
Wall Cabinets Carcass : Smokey Gray
Drawers: Brown
Plinth Color: Alum. Titanium
Channel: Straight Alum. Titanium
Grip Edge: Titanium Frame Grip
Hardware: TBD

1 BEDROOM

Refrigerator: Miele 30" KF 1813 Vi
Dishwasher: Miele 24" G 6880 SCVi
Cooktop: Miele 30" KM 3465 G
Oven: Miele 30" H 6280 BP
Hood: Miele 30" DA 3486
Re circulation kit: Miele DUU 150
Wine fridge: N/A
Microwave: TBD

CLIENT APPROVAL:

Date: _____

Cesar NYC Kitchens expressly reserves its common law copyright and other property rights in these plans. These plans are not to be reproduced, changed, or copied in any form or manner whatsoever nor are they to be assigned to any third party without first obtaining the express written permission and consent of Cesar NYC Kitchen.

DATE:	REVISION:	BY:
7-18-19	MEP info drawings	YAP

Cesar
NEW YORK

CESAR NYC KITCHENS
50 W. 23rd Street
New York, NY 10010
Tel: 212.505.2000
www.cesarnyc.com

85/159

D ELEVATION
1/2"=1'-0"